

## INSTALLATION INSTRUCTIONS

### Wall Down Light 240V GU10

GANWL-MC60D-GU10

### Adjustable Single Wall Light 240V GU10

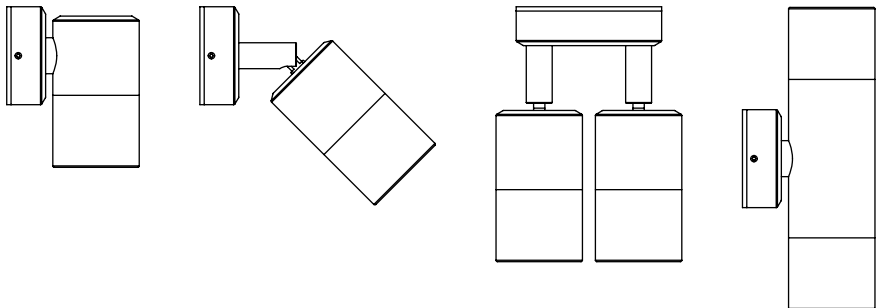
GANWL-MC60AS-GU10

### Adjustable Twin Light 240V GU10

GANWL-MC60AT-GU10

### Up/Down Wall Light 240V GU10

GANWL-MC60UD-GU10



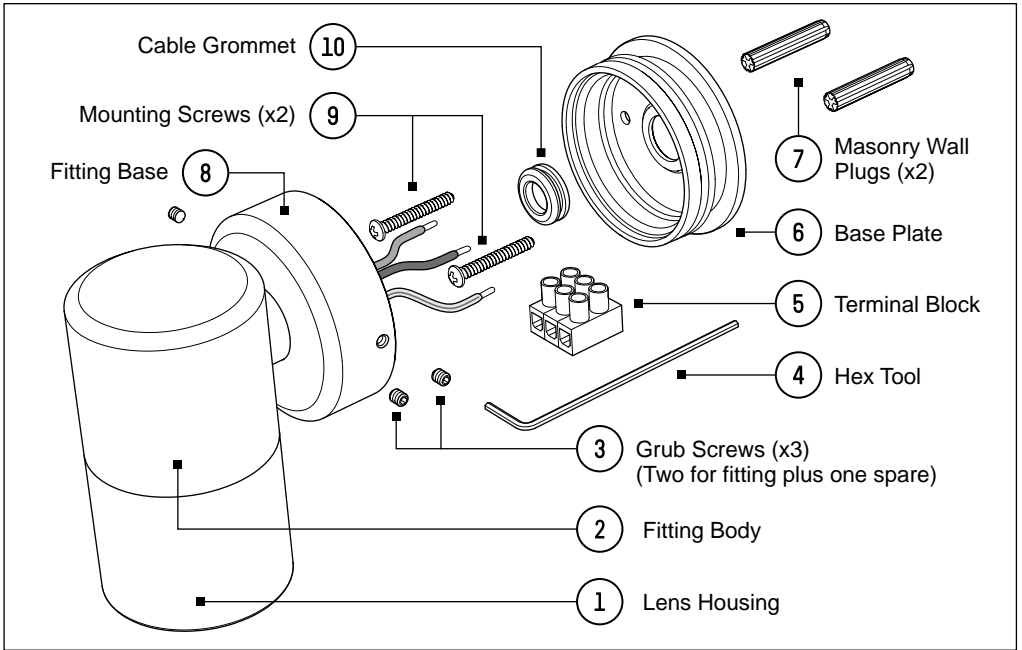
#### NOTE:

1. Mains Voltage (240V) fittings must only be installed by a Licensed Electrical Contractor and meet all regulatory requirements.

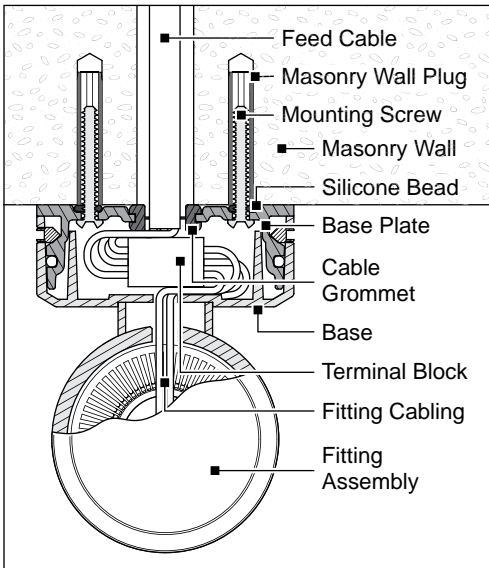
**PLEASE NOTE:**

Wall Down Light 240V GU10 fitting shown in instruction sheet diagrams. Same installation procedure is applicable for all models listed on front cover of booklet.

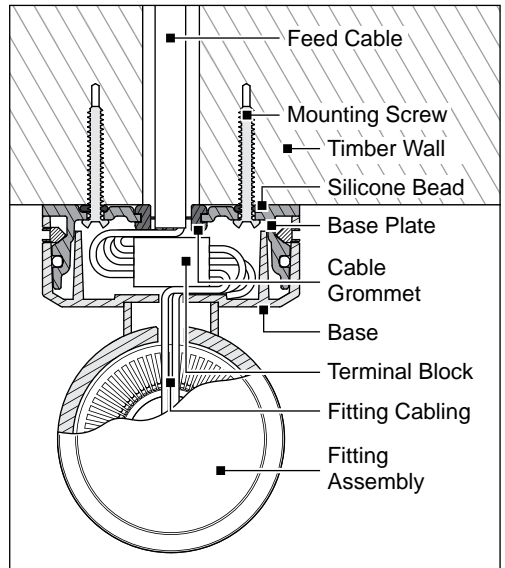
# FITTING KIT – PARTS SUMMARY



## INSTALLATION - MASONRY WALL



## INSTALLATION - TIMBER WALL

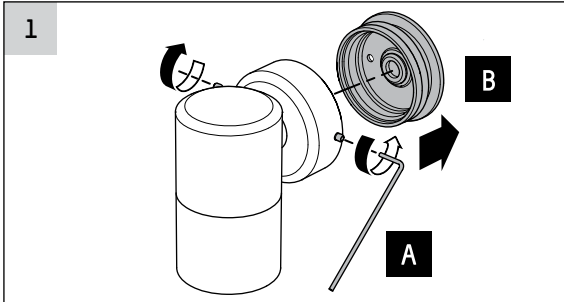


## ATTENTION – BEFORE YOU START

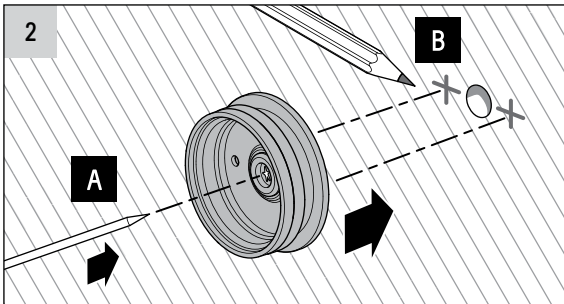


Mains Voltage (240V) fittings must only be installed by a Licensed Electrical Contractor and meet all regulatory requirements.

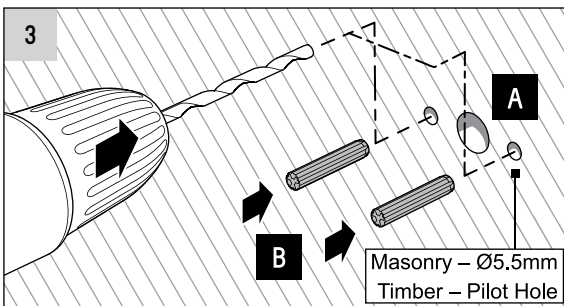
## FITTING INSTALLATION INSTRUCTIONS



- Loosen two Grub Screws on Fitting Base using Hex Tool (supplied) (A).
- Carefully remove Base Plate from fitting assembly (B).



- Carefully pierce central rubber Cable Grommet to create hole for cable entry (A).
- Position Base Plate in desired location on wall and use as template to mark locations of two mount holes (B).

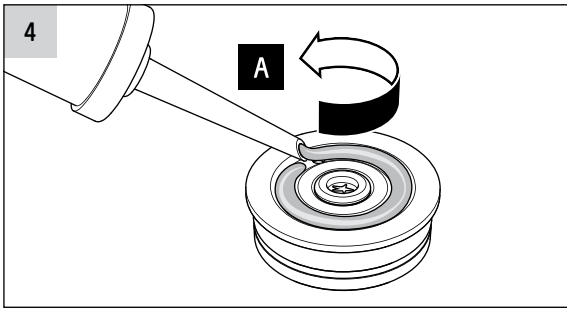


For Timber walls:

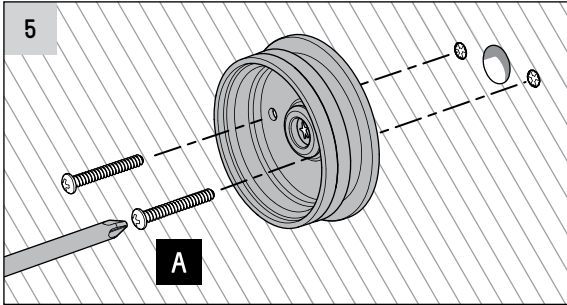
- Drill two pilot holes at marked locations to prevent timber splitting (A).

For Masonry walls:

- Drill two Ø5.5mm holes at marked locations (A).
- Insert two Masonry Wall Plugs (B) (supplied) into holes until ends are flush with wall surface.

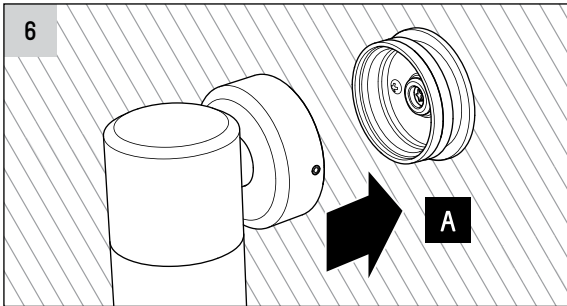


- Apply a generous, continuous bead of silicone within rear recess on Base Plate (A).
- Failure to seal Base Plate will void warranty.



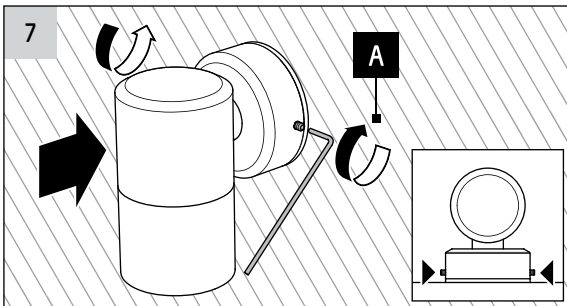
To mount Base Plate to wall:

- Align Base Plate with Masonry Wall Plugs or pilot holes.
- Fasten to wall with two Mounting Screws (supplied) (A).
- Clean-up any excess silicone around Base Plate.



- Licensed Electrical Contractor to connect fitting meeting all regulatory requirements.
- Coil cabling neatly into Fitting Base. Care must be taken to avoid cable damage.
- Assemble fitting to Base Plate (A).

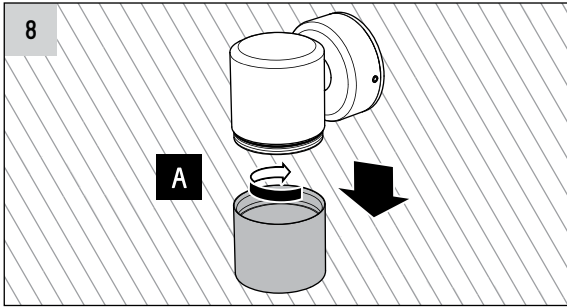
**NOTE – ADJUSTABLE MODELS\***  
**Ensure fitting is correctly oriented for desired range of movement.**



- Attach fitting assembly to Base Plate by tightening two Grub Screws using Hex Tool (supplied) (A).

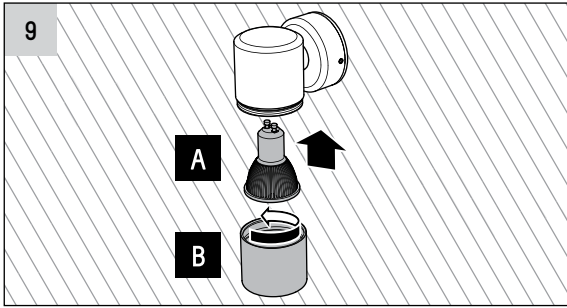
\* Applies to Models – GANWL-MC60AS-GU10 and GANWL-MC60AT-GU10

# FITTING INSTALLATION INSTRUCTIONS



To prepare for Lamp installation:

- Carefully unscrew Lens Housing/s and remove from Fitting Body (A).



Lamp installation:

- Insert LED GU10 Lamp/s\*\* into Lamp Holder/s inside fitting assembly (A).
- Re-attach Lens Housing/s to Fitting Body (B). Care must be taken when assembling Lens Housing to prevent thread or seal damage. Hand tighten until seal is fully compressed.
- **ADJUSTABLE MODELS\*** Rotate and position Fitting Body to light desired area.

\*\* LED GU10 Lamps available from Gardens at Night



# WARRANTY STATEMENT

Gardens at Night warrants that, subject to the exclusions and limitations below, all products will be free from defects in materials and workmanship for a minimum period of 12 months from the date of purchase or as stated on the Product Information sheet.

If a defect appears in a Product before the end of the Warranty Period, and Gardens at Night finds the Product to be defective in materials or workmanship, Gardens at Night will, in its sole discretion, either:

- (a) repair the Product or the defective part of the Product free of charge; or
- (b) have the Product or the defective part of the Product repaired by a qualified repairer free of charge; or
- (c) replace the Product.

Gardens at Night reserves the right to replace defective parts of the Products with parts and components of similar quality, grade and composition where an identical part or component is not available. Products presented for repair may be replaced by refurbished Product parts of the same type rather than being repaired. Refurbished parts may be used to repair the Products.

## WARRANTY CLAIMS

1. If a fault covered by this warranty occurs, the customer must first contact Gardens at Night on the contact details below, or the trader from whom the Product was purchased.
2. Any warranty claim must be accompanied by:
  - (a) proof of purchase;
  - (b) full details of the alleged defect; and
  - (c) any other appropriate documentation.
3. The customer must make the Product available to Gardens at Night or its authorised repair agent for inspection and testing. If such inspection and testing finds no defect in the Product, the customer must pay Gardens at Night's usual costs of service work and testing.
4. The customer must bear the cost of the transport of the Product to and from Gardens at Night or its authorised repair agent, and all insurance of the Product.

## EXCLUSIONS

This warranty will not apply where:

- (a) the Product has not been installed in accordance with the installation instructions provided with the Product;
- (b) the Product has been repaired, altered or modified by someone other than Gardens at Night or its authorised agent;
- (c) the alleged defect in the Product is within acceptable industry variances;
- (d) Gardens at Night cannot establish any fault in the Product after testing and inspection;
- (e) the product has been used for a purpose other than that for which it was designed and manufactured;
- (f) the defect in the Product has arisen due to the customer's failure to properly use, service or maintain the Product in accordance with any instructions or user manuals that are supplied with the Product;

- (g) the Product has been subject to abnormal conditions, including environment, temperature, water, fire, humidity or similar;
- (h) the defect has arisen due to abuse, misuse, neglect or accident;
- (i) the damage occurred in transit;
- (j) the damage is due to power surges.

The warranty does not extend to:

- (a) damage or defects caused by normal wear and tear; or
- (b) surface rust.

## LIMITATIONS

Gardens at Night makes no express warranties or representations other than set out in this warranty.

Except to the extent required by the Australian Consumer Law, the repair of the Product or part of the Product is the absolute limit of Gardens at Night's liability under this express warranty.

Our goods come with guarantees that cannot be excluded under the Australian Consumer Law. You are entitled to a replacement or refund for a major failure and for compensation for any other reasonably foreseeable loss or damage.

You are also entitled to have the goods repaired or replaced if the goods fail to be of acceptable quality and the failure does not amount to a major failure.

Gardens at Night provides the warranty in relation to any Gardens at Night branded exterior and landscape lighting Product.

The benefits of this warranty are in addition to any rights and remedies imposed by Australian State and Federal legislation that cannot be excluded. Nothing in this warranty is to be interpreted as excluding, restricting or modifying any State or Federal legislation applicable to the supply of goods and services which cannot be excluded, restricted or modified.

[www.gan.com.au](http://www.gan.com.au)

MELBOURNE  
1316 Malvern Road  
Malvern VIC 3144  
T 03 9824 4937 E [vic@gan.com.au](mailto:vic@gan.com.au)

SYDNEY  
88 Alexander Street  
Crows Nest NSW 2065  
T 02 9439 9155 E [nsw@gan.com.au](mailto:nsw@gan.com.au)



E4635