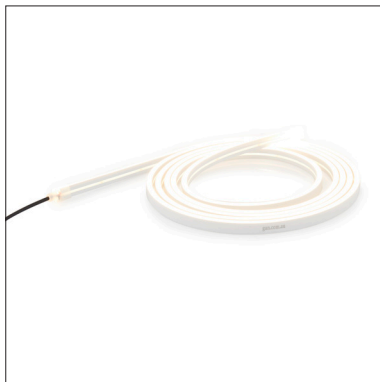
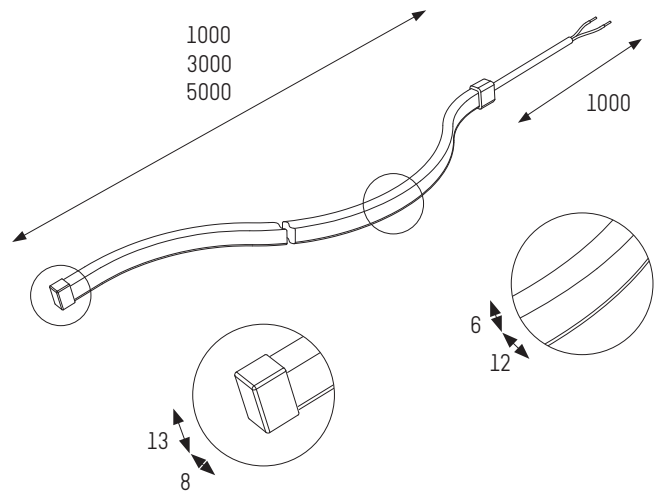


Neon Side Flex

GANL-GLNSF6x12

- Available in three convenient lengths.
Refer to Part No.s below:
GANL-GLNSF6x12-1m
GANL-GLNSF6x12-3m
GANL-GLNSF6x12-5m
- Continuous and even end-to-end 'dot-free' light distribution
- Compact design
- Full silicone construction for high UV and chemical resistance
- Highly flexible to enable radius cornering and curved designs
- Marked 50mm cut points for easy customisation onsite

Installation - Can be installed on concrete, masonry and timber. Mount Channel required. Part No. GANL-GLNSF6x12-Channel-1m (Sold separately. Refer to Neon Side Flex Mount Channel).



Specifications

- Pre-fitted with 1m red/black starter cable and end cap
- Supplied with additional end cap and silicone glue
- 8 watts per metre
- 450 lumens per metre
- Input 24VDC
- IP67
- Power using a remote 24VDC Constant Voltage Power Supply (sold separately)
- Warranty - 3 years

Specifications subject to change without notice