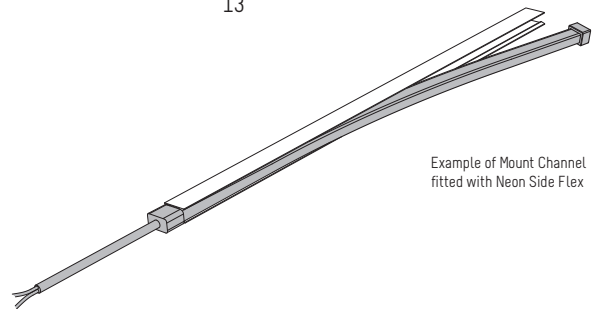
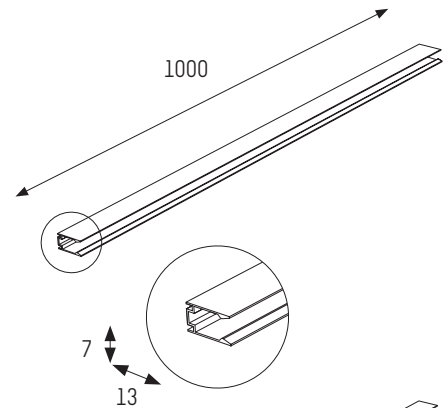


Neon Side Flex Mount Channel

GANL-GLNSF6x12-Channel-1m

- Available in convenient 1m length
- For longer installations, multiple sections of Mount Channel will be required
- Slim and compact design
- Lightweight aluminium construction
- Anodised black finish
- Suits Neon Side Flex - Part No.s:
GANL-GLNSF6x12-1m
GANL-GLNSF6x12-3m
GANL-GLNSF6x12-5m
(Sold separately. Refer to Neon Side Flex).

Installation - Suits Concrete, Masonry and Timber



Example of Mount Channel fitted with Neon Side Flex

