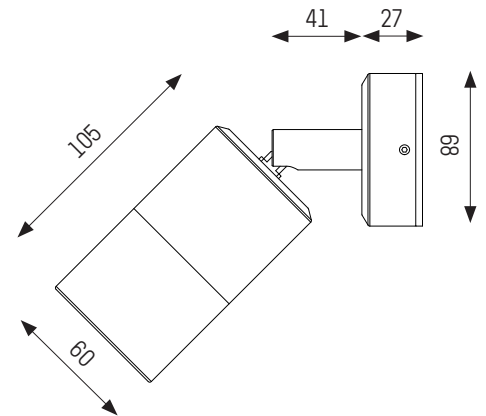


Adjustable Single Wall Light

GANWL-MC60AS

- Corrosion resistant brass construction
- Multiple finishes



Specifications

240VAC

- Lamp 1 x LED 5W GU10 (Max)
- Lamp not included
- 240VAC fitting to be installed by a licensed electrician only
- IP rating - IP65
- Warranty - 5 years (fitting only) - applicable on purchases from 01/01/2019

ELV

- Lamp 1 x LED 5W MR16 (Max)
- Lamp not included
- Ensure ELV Power Supply and lamp match before use
- IP rating - IP65
- Warranty - 5 years (fitting only) - applicable on purchases from 01/01/2019

MELBOURNE

1316 Malvern Road
 Malvern VIC 3144
 T 03 9824 4937
 vic@gan.com.au

SYDNEY

88 Alexander Street
 Crows Nest NSW 2065
 T 02 9439 9155
 nsw@gan.com.au

Specifications subject to change without notice