

# Inground Light 8

GANL-GIG8

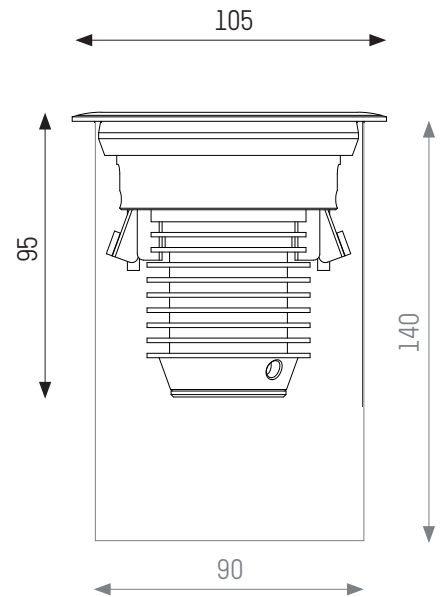
- Corrosion resistant construction
- Multiple finishes
- Wide voltage range
- Energy efficient
- Easy to install
- Unique fixing system
- On board driver
- Fully serviceable

**Installation – Concrete**

Fitting is supplied with a 90mm x 140mm PVC installation canister. Canisters can be placed in slab prior to concrete pour to ensure good drainage to soil. Cutout can also be core drilled with 92mm size core drill. Canister is not required but hole must provide drainage to sub-soil.

**Installation – Decking**

90mm cutout is required for installation into decking. Discard installation canister when installing into decking.



**Specifications**

- High output warm white Cree LED
- 8 watts total load
- 70 lumens per watt
- In-built thermal protection
- Wide optic standard (Medium and Narrow optic available)
- Honeycomb glare guard standard
- Power using a recommended 24VDC Power Supply
- IP rating – IP67
- Warranty – 5 years – applicable on purchases from 01/01/2019

**MELBOURNE**  
 1316 Malvern Road  
 Malvern VIC 3144  
 T 03 9824 4937  
 vic@gan.com.au

**SYDNEY**  
 88 Alexander Street  
 Crows Nest NSW 2065  
 T 02 9439 9155  
 nsw@gan.com.au

Specifications subject to change without notice