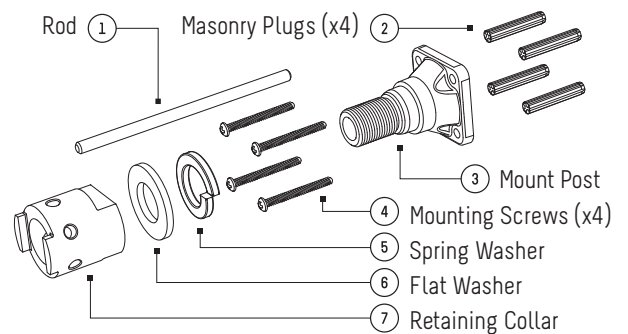
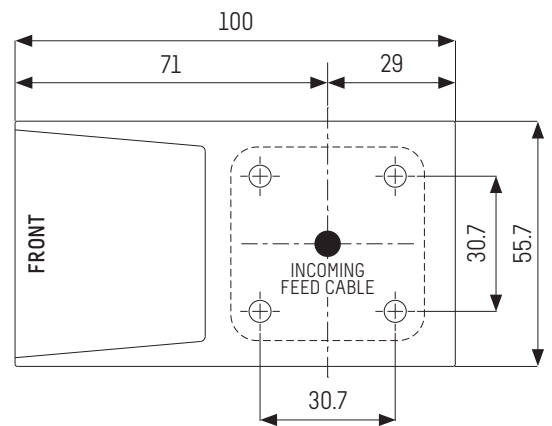


Bollard Linear Surface Mount Kit

GANL-GPLBL8450-SMK

- Custom designed installation surface mount kit for GANL-GPLBL8450
- Suits concrete and timber applications



MELBOURNE
 1316 Malvern Road
 Malvern VIC 3144
 T 03 9824 4937
 vic@gan.com.au

SYDNEY
 88 Alexander Street
 Crows Nest NSW 2065
 T 02 9439 9155
 nsw@gan.com.au

Specifications subject to change without notice

www.gan.com.au