

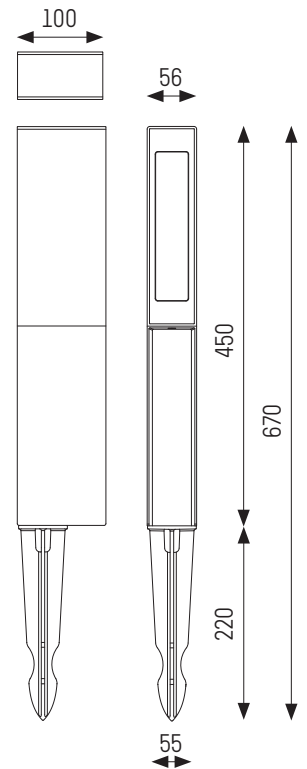
Bollard Linear 8

GANL-GPLBL8450

- Corrosion resistant construction
- Multiple finishes
- Wide voltage range
- Energy efficient
- Easy to install
- On board driver
- Fully serviceable

Installation – Concrete and Timber

Surface mount kit required. Refer to installation Instructions.
 – Part No. GANL-GPLBL8450-SMK
 (Surface Mount Kit sold separately – See page 2).



Specifications

- High output warm white Cree LED
- 8 watts total load
- 70 lumens per watt
- In-built thermal protection
- Custom reflector for high efficiency minimal glare
- Power using a recommended 24VDC Power Supply
- IP rating – IP66
- Warranty – 5 years – applicable on purchases from 01/01/2019

MELBOURNE

1316 Malvern Road
 Malvern VIC 3144
 T 03 9824 4937
 vic@gan.com.au

SYDNEY

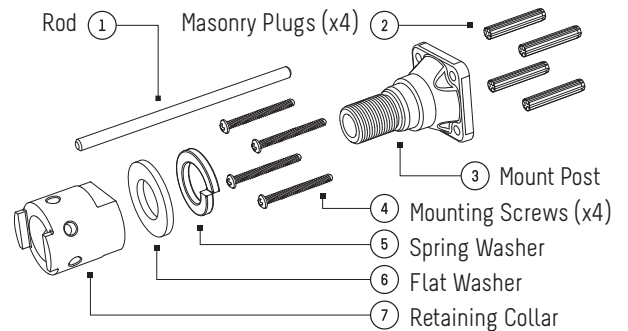
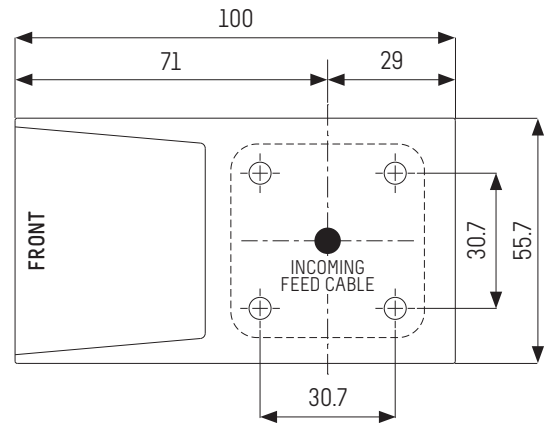
88 Alexander Street
 Crows Nest NSW 2065
 T 02 9439 9155
 nsw@gan.com.au

Specifications subject to change without notice

Bollard Linear Surface Mount Kit

GANL-GPLBL8450-SMK

- Custom designed installation surface mount kit for GANL-GPLBL8450
- Suits concrete and timber applications



MELBOURNE
 1316 Malvern Road
 Malvern VIC 3144
 T 03 9824 4937
 vic@gan.com.au

SYDNEY
 88 Alexander Street
 Crows Nest NSW 2065
 T 02 9439 9155
 nsw@gan.com.au

Specifications subject to change without notice

www.gan.com.au