

Inground Light 1

GANL-GIG1

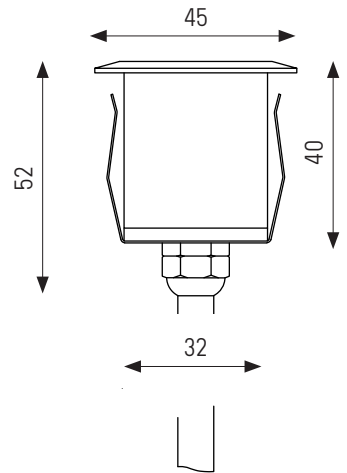
- Corrosion resistant construction
- Multiple finishes
- Wide voltage range
- Energy efficient
- Easy to install
- On board driver

Installation – Concrete

Fitting will mount into grey 40mm PVC electrical conduit. Canisters can be placed in slab prior to concrete pour to ensure good drainage to soil. Cutout can also be core drilled with 38mm size core drill. 40mm PVC conduit is not required but hole must provide drainage to sub-soil.

Installation – Decking

38mm cutout is required for installation into decking. No canister is required.



Specifications

- Warm white Cree LED
- 1 watt total load
- 70 lumens per watt
- In-built thermal protection
- Power using a recommended 24VDC Power Supply
- Suits 40mm grey PVC electrical conduit
- IP rating – IP67
- Warranty – 5 years – applicable on purchases from 01/01/2019

MELBOURNE
 1316 Malvern Road
 Malvern VIC 3144
 T 03 9824 4937
 vic@gan.com.au

SYDNEY
 88 Alexander Street
 Crows Nest NSW 2065
 T 02 9439 9155
 nsw@gan.com.au

Specifications subject to change without notice

www.gan.com.au