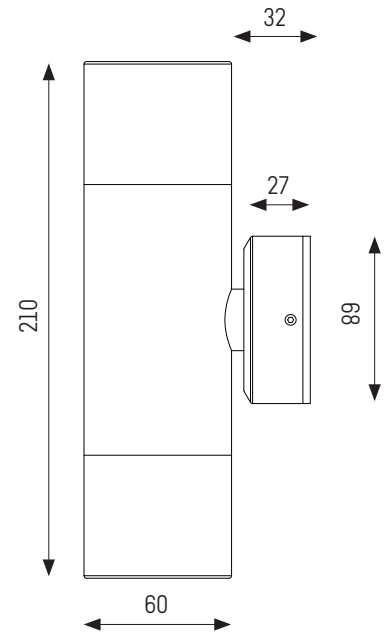


# Up/Down Wall Light

GANWL-MC60UD

- Corrosion resistant brass construction
- Multiple finishes



## Specifications

### 240VAC

- Lamp 2 x LED 5W GU10 (Max)
- Lamps not included
- 240VAC fitting to be installed by a licensed electrician only
- IP rating – IP65
- Warranty – 5 years (fitting only) – applicable on purchases from 01/01/2019

### ELV

- Lamp 2 x LED 5W MR16 (Max)
- Lamps not included
- Ensure ELV Power Supply and lamps match before use
- IP rating – IP65
- Warranty – 5 years (fitting only) – applicable on purchases from 01/01/2019

## MELBOURNE

1316 Malvern Road  
 Malvern VIC 3144  
 T 03 9824 4937  
 vic@gan.com.au

## SYDNEY

88 Alexander Street  
 Crows Nest NSW 2065  
 T 02 9439 9155  
 nsw@gan.com.au

Specifications subject to change without notice