

Underwater Light 5

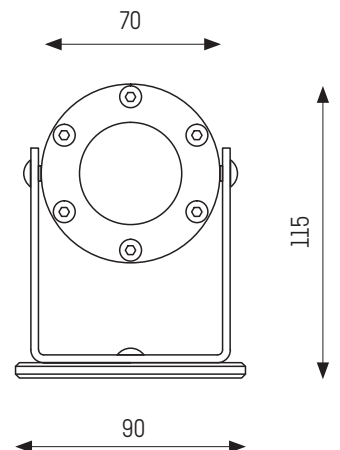
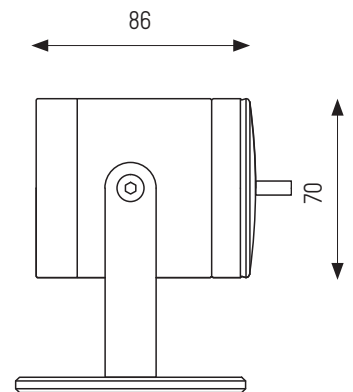
GANL-GUW5-FB

- Corrosion resistant construction
- Wide voltage range
- Energy efficient
- Easy to install
- On board driver
- Fully serviceable



Specifications

- High output warm white Cree LED
- 5 watts total load
- 70 lumens per watt
- In-built thermal protection
- 6m cable
- Includes base
- Honeycomb glare guard standard
- Power using a recommended 24VDC Power Supply
- IP rating - IP68
- Warranty - 5 years - applicable on purchases from 01/01/2019



MELBOURNE
1316 Malvern Road
Malvern VIC 3144
T 03 9824 4937
vic@gan.com.au

SYDNEY
88 Alexander Street
Crows Nest NSW 2065
T 02 9439 9155
nsw@gan.com.au

Specifications subject to change without notice

www.gan.com.au